

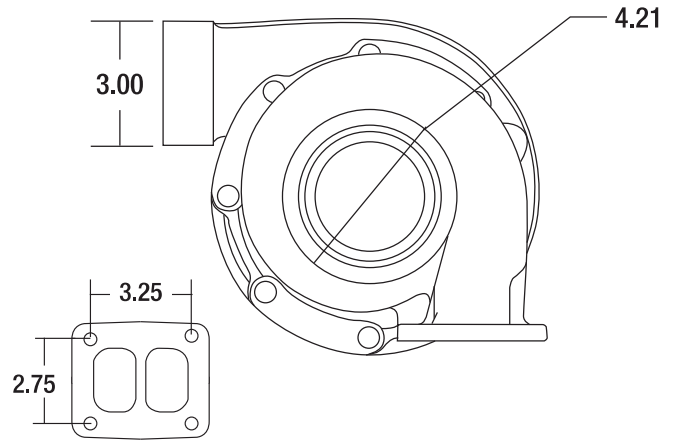
S300SX3



320 - 800 HP Turbo

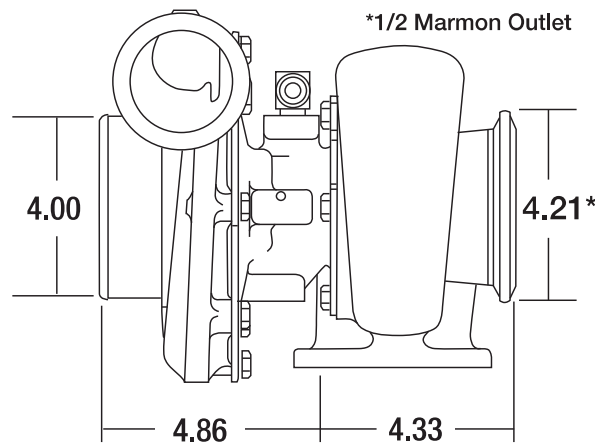


Turbo Frame Dimensions



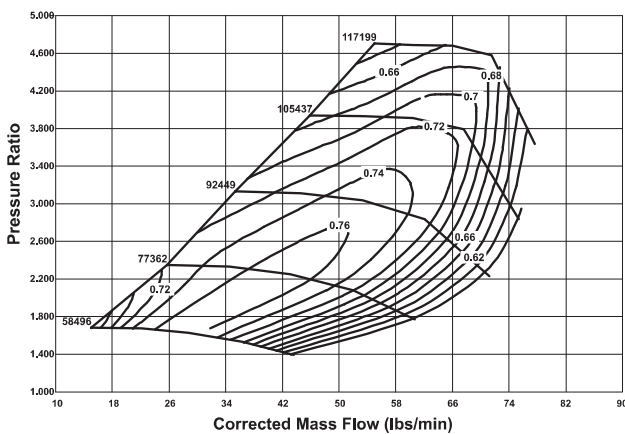
Turbo Features

- Twin hydrodynamic journal bearings
- Extended tip technology compressor wheel
- Twin scroll turbine housing options available
- Adjustable compressor and turbine housing orientation
- Compressor cover recirculation grooves



Compressor Map

(Applicable to part number 177281 & 177275)



Turbine Housing

Part Number	A/R	Notes
177211	0.88	
177208	0.91	
177209	1.00	(177272 Only)
177210	0.88	(177272 Only)

Turbo Part Number	Comp. Wheel O.D.	Comp. Wheel Inducer Dia.	Comp. Wheel Inducer Dia. (mm)	Turbine Wheel O.D.	Turbine Wheel O.D. (mm)	Turbine Wheel Exducer	Turbine Wheel Exducer (mm)	Turbine A/R	Cartridge Assembly	Service Kit
177281	3.60	2.60	66	3.14	80	2.89	73	.88	176634	318393
177275	3.60	2.60	66	3.14	80	2.89	73	.91	176646	318393
177272	3.29	2.36	60	3.00	76	2.66	68	.91	176635	318393