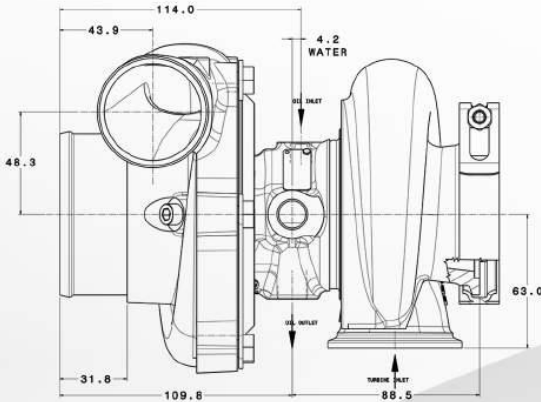


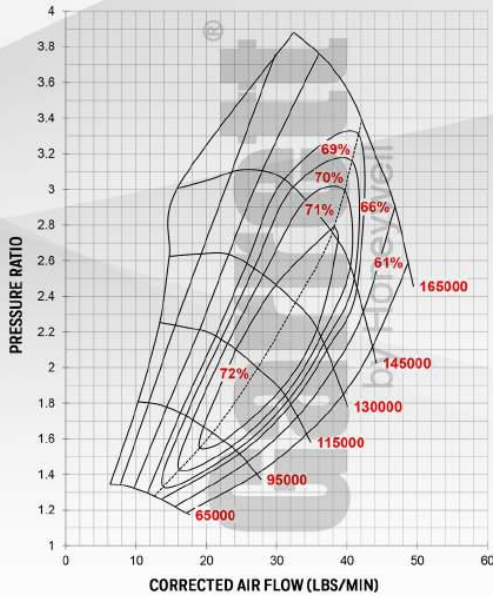
GTX2867R

Horsepower: 275-550HP

Displacement: 1.4 - 2.5L



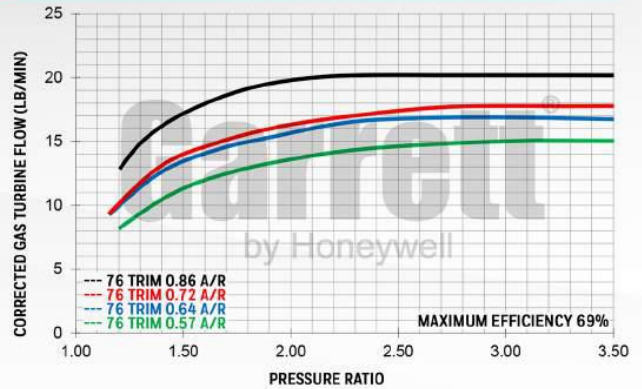
COMPRESSOR MAP



FEATURES:

- ◆ GEN 2 AERO COMP WHEEL FOR IMPROVED PERFORMANCE
- ◆ IMPROVED PORTED SHROUD DESIGN FOR SURGE RESISTANCE
- ◆ NEW COMPRESSOR HOUSING AESTHETICS
- ◆ INTEGRATED SPEED SENSOR PORT
- ◆ SOLD AS ASSEMBLY KITS (SUPER CORE PLUS TURBINE HSG)

EXHAUST FLOW CHART



Super Core Reference Data	Compressor				Turbine			
	Inducer	Exducer	Trim	A/R	Inducer	Exducer	Trim	
GTX2867R	50 mm	67 mm	55	0.60	54 mm	47 mm	76	
Assembly Kit Part Number	Super Core	Turbine Hsg Kit	A/R	Inlet	Outlet	Wastegate	Divided	
Assembly Kit Sold as Super Core Plus Turbine Housing	856800-5005S	849894-5002S	827690-0001	0.57	V-Band	V-Band	Free Float	N
	856800-5006S	849894-5002S	827690-0002	0.72	V-Band	V-Band	Free Float	N
	856800-5007S	849894-5002S	827690-0003	0.64	T25	5 bolt	Wastegated	N
	856800-5008S	849894-5002S	827690-0004	0.86	T25	5 bolt	Wastegated	N